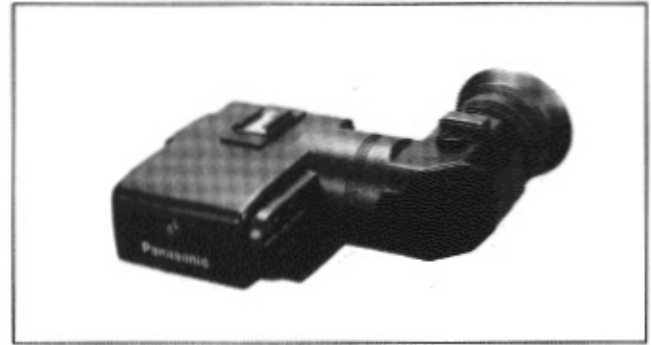


# Instructions

## 1.5" Electronic Viewfinder WV-VF39 for WV-F70, WV-F200, WV-F250 and WV-F300 Series

# Panasonic®

Before attempting to connect or operate this product, please read these instructions completely.



## PREFACE

Panasonic's 1.5" electronic viewfinder WV-VF39 is used for converting studio color camera to the ENG color camera.

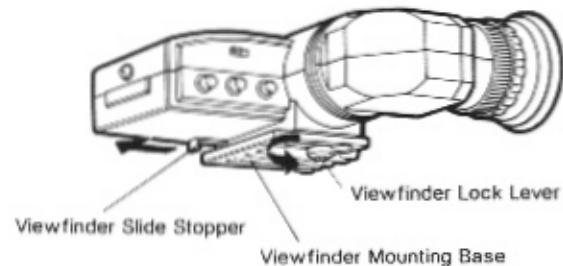
## FEATURES

1. 1.5" CRT screen (1-3/8" actual image size, measured diagonally).
2. Tilttable viewfinder for convenient viewing.
3. Level indicator (excessively bright area turns to zebra pattern) on the CRT screen for easy adjustment.

4. Tally light for informing the recording.
5. Adjustable eye cap for optimum diopter setting.
6. Contrast and Brightness controls.

## INSTALLATION

1. Unlock the viewfinder lock lever on the WV-VF39. While pulling the viewfinder slide stopper, remove the viewfinder mounting base by sliding it out from the viewfinder.



**NOTE:** Refer to the operating instructions of WV-F70, WV-F200, WV-F250 and WV-F300 series for details



The lightning flash with arrowhead symbol, within an equilateral triangle, is intended to alert the user to the presence of uninsulated "dangerous voltage" within the product's enclosure that may be of sufficient magnitude to constitute a risk of electric shock to persons.



The exclamation point within an equilateral triangle is intended to alert the user to the presence of important operating and maintenance (servicing) instructions in the literature accompanying the appliance.

**WARNING:**  
TO PREVENT FIRE OR SHOCK HAZARD, DO NOT EXPOSE THIS APPLIANCE TO RAIN OR MOISTURE.

For U.S.A.  
**Warning:**  
This equipment generates and uses radio frequency energy and if not installed and used properly, i.e., in strict accordance with the instruction manual, may cause harmful interference to radio communications. It has been tested and found to comply with the limits for a Class A computing device pursuant to Subpart J of Part 15 of FCC Rules, which are designed to provide reasonable protection against such interference when operated in a commercial environment.

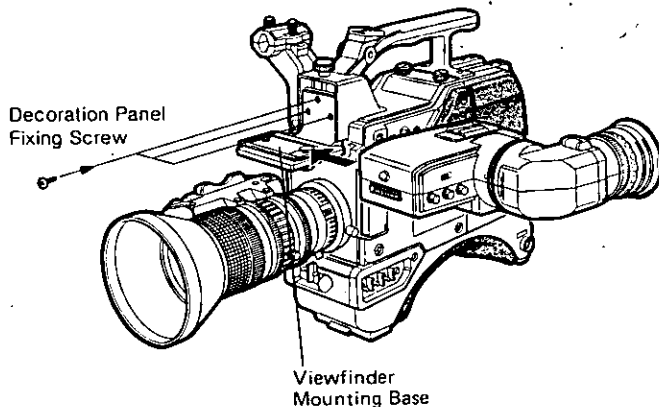
For CANADA  
This digital apparatus does not exceed the Class A limits for radio noise emissions from digital apparatus set out in the Radio Interference Regulations of the Canadian Department of Communications.

The serial number of this product may be found on the bottom of the unit.  
You should note the serial number of this unit in the space provided and retain this book as a permanent record of your purchase to aid identification in the event of theft.

Model No. \_\_\_\_\_ WV-VF39 \_\_\_\_\_

Serial No. \_\_\_\_\_

- Remove three screws fixing the front decoration panel and remove the panel.  
Install the viewfinder mounting base at the position for the decoration panel with the removed three screws.  
Mount the viewfinder on the viewfinder mounting base by sliding it onto the base.  
Securely lock the viewfinder by the viewfinder lock lever.  
Connect the viewfinder connector.



## SPECIFICATIONS

Visual Size:	1-3/8" actual image size, measured diagonally
Power Source:	Supplied from camera head
Horizontal Resolution:	450 lines at center
Switches:	Tally ON/OFF, Peaking ON/OFF
Controls:	Contrast, Brightness
Display:	NTSC Composite
Indicator:	Level Indicator (zebra pattern) Character Display Tally Light
Dimensions:	7-9/16"(W) x 2-7/8"(H) x 7-7/16"(D) [192(W) x 68(H) x 189(D) mm]
Weight:	1.3 lbs (0.58 kg)

Weight and dimensions shown are approximate.  
Specifications are subject to change without notice.

# Panasonic

Communications & Systems Company

Panasonic Communications & Systems Company  
Division of Matsushita Electric Corporation of America

## PROFESSIONAL/INDUSTRIAL VIDEO

### HEADQUARTERS:

50 Meadowland Parkway, Secaucus, New Jersey 07094

### EASTERN ZONE:

50 Meadowland Parkway, Secaucus, NJ 07094 (201) 348-7620

### CENTRAL ZONE:

425 E. Algonquin Road, Arlington Hts. IL 60005 (708) 981-4826

### SOUTHERN ZONE:

Dallas Region: 4500 Amon Carter Blvd., Ft. Worth, TX 76155 (817) 685-1117

Atlanta Region: 1854 Shackleford Ct. Suite 115, Norcross, GA 30093 (404) 925-6841

### WESTERN ZONE:

Seattle Region: 1200 Westlake Ave. N., Suite 508, Seattle, WA 98109 (206) 285-8883

Los Angeles Region: 6550 Katella Ave., Cypress, CA 90630 (714) 373-7275

### MATSUSHITA ELECTRIC OF CANADA LIMITED

5770 Ambler Drive, Mississauga, Ontario, Canada L4W 2T3 (416) 624-5010

### PANASONIC SALES COMPANY

### DIVISION OF MATSUSHITA ELECTRIC OF PUERTO RICO, INC.

San Gabriel Industrial Park, 65th Infantry, Ave. KM. 9.5 Carolina, Puerto Rico 00630 (809) 750-4300